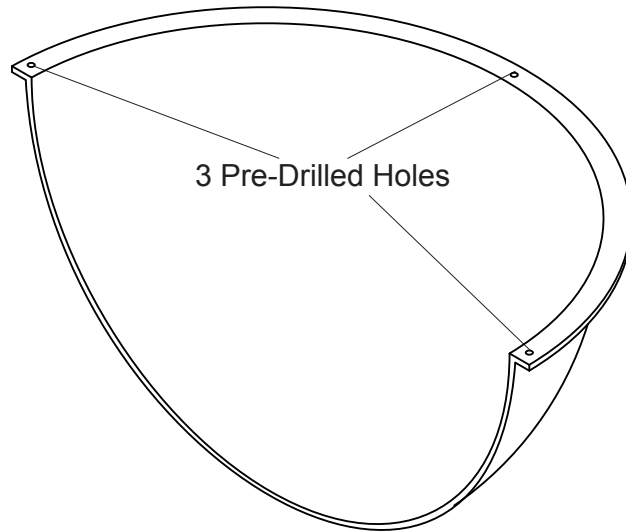
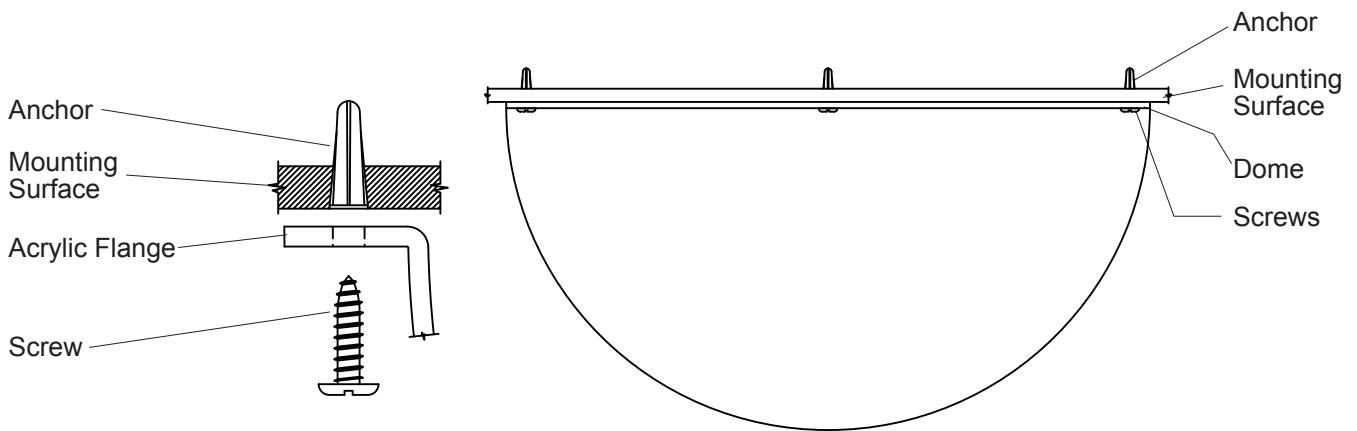


180 Degree Dome Mounting Instructions



180 Degree Domes may be mounted to the ceiling or wall by screws, or driven into pre-placed wall anchors.



OR

They can also be mounted by pre-drilling holes in the mounting surface and inserting a toggle bolt assembly (not included) through the pre-drilled holes on the mounting surface, then drawing the dome up by screwing the toggle bolt in.

